

All Titan™ Anchor Shackles are Hot Dip Galvanized for premium corrosion resistance and meet or exceed the current RR-C-271 Type IVA Grade B Specifications.

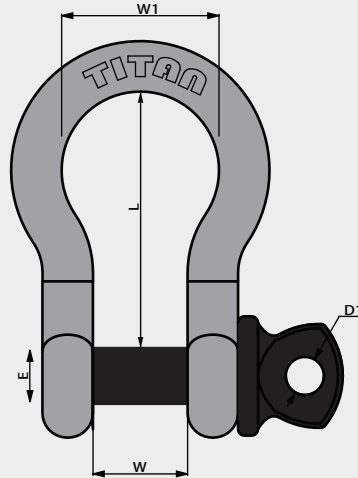
Why Titan™ High Strength Shackles:

- Breaking strength exceeds that of high test G4 chain
- >30% stronger than standard Grade A shackles (depending on sizes)
- Hot Dip Galvanized coating on both the shackle and pin
- Bow (Anchor) and D (Chain) types
- Bold black colored pin
- Proof tested & load rated
- Working load limit, size, and logo stamped on every shackle



Scan this with your mobile device for our website

PID	Bail		Pin		WLL(Working Load Limit)			MBL(Breaking Load)			D1	E	W	W1	L
	INCH	MM	INCH	MM	KN	LB	KG	KN	LB	KG	MM	Thread	MM	MM	MM
10321196	5/16	8	3/8	10	12.5	2750	1250	62.5	13750	6250	5.6	3/8"- 16UNC	13.5	37.3	31
10319610	3/8	10	7/16	11	20	4400	2000	100	22000	10000	6.4	7/16"- 14UNC	16.8	45.2	36.3
10319611	7/16	11	1/2	13	26	5720	2600	130	28600	13000	7.9	1/2"- 13UNC	19.1	51.6	42.9
10319612	1/2	13	5/8	16	33	7260	3300	165	36300	16500	9.7	5/8"- 11UNC	20.6	58.7	47.8
10319613	5/8	16	3/4	19	50	11000	5000	250	55000	25000	11.2	3/4"- 10UNC	26.9	74.7	60.5
10319614	3/4	19	7/8	22	70	15400	7000	350	77000	35000	12.7	7/8"- 9UNC	31.8	88.9	71.4
10319615	7/8	22	1	25	95	20900	9500	475	104500	47500	12.7	1"- 8UNC	36.6	102.4	84.1
10319616	1	25	1 1/8	29	125	27500	12500	625	137500	62500	14.2	1-1/8" - 7UNC	42.9	119.1	95.3
10319617	1 1/8	29	1 1/4	32	150	33000	15000	750	165000	75000	16	1-1/4" - 7UNC	46	131.1	108
10319618	1 1/4	32	1 3/8	35	180	39600	18000	900	198000	90000	17.5	M36 X 4	51.6	146.1	119
10319619	1 3/8	35	1 1/2	38	210	46200	21000	1050	231000	105000	19.1	M39 X 4	57.2	162.1	133.4



titanmarineproducts.com sales@canmet.com

*The descriptions and guidelines shown in this literature should be used as a general reference only. For any further technical information please contact our Technical Service. Contents of this Brochure/Catalog are based on the latest information available at the time of publication. CMP / Rocna assumes no responsibility for the accuracy of the information contained herein. Product specifications are subject to change without notice.

All Titan™ Chain Shackles are Hot Dip Galvanized for premium corrosion resistance and meet or exceed the current RR-C-271 Type IVB Grade B Specifications.

Why Titan™ High Strength Shackles:

- Breaking strength exceeds that of high test G4 chain
- >30% stronger than standard Grade A shackles (depending on sizes)
- Hot Dip Galvanized coating on both the shackle and pin
- Bow (Anchor) and D (Chain) types
- Bold black colored pin
- Proof tested & load rated
- Working load limit, size, and logo stamped on every shackle



Scan this with your mobile device for our website

PID	Bail		Pin		WLL(Working Load Limit)			MBL(Breaking Load)			D1	E	W	W1	L
	INCH	MM	INCH	MM	KN	LB	KG	KN	LB	KG	MM	Thread	MM	MM	MM
10321197	5/16	8	3/8	10	12.5	2750	1250	62.5	13750	6250	5.6	3/8" - 16UNC	13.5	29.5	26.2
10319620	3/8	10	7/16	11	20	4400	2000	100	22000	10000	6.4	7/16" - 14UNC	16.8	35.8	31.8
10319621	7/16	11	1/2	13	26	5720	2600	130	28600	13000	7.9	1/2" - 13UNC	19.1	41.4	36.6
10319622	1/2	13	5/8	16	33	7260	3300	165	36300	16500	9.7	5/8" - 11UNC	20.6	46	41.4
10319623	5/8	16	3/4	19	50	11000	5000	250	55000	25000	11.2	3/4" - 10UNC	26.9	58.7	50.8
10319624	3/4	19	7/8	22	70	15400	7000	350	77000	35000	12.7	7/8" - 9UNC	31.8	69.9	60.5
10319625	7/8	22	1	25	95	20900	9500	475	104500	47500	12.7	1" - 8UNC	36.6	81	71.4
10319626	1	25	1 1/8	29	125	27500	12500	625	137500	62500	14.2	1-1/8" - 7UNC	42.9	93.7	81
10319627	1 1/8	29	1 1/4	32	150	33000	15000	750	165000	75000	16	1-1/4" - 7UNC	46	103.1	90.9
10319628	1 1/4	32	1 3/8	35	180	39600	18000	900	198000	90000	17.5	M36 X 4	51.6	115.1	100.1
10319629	1 3/8	35	1 1/2	38	210	46200	21000	1050	231000	105000	19.1	M39 X 4	57.2	127	111.3

